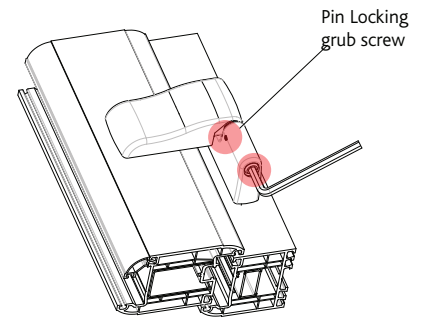


Anchorage Intelligent Strength Adjustment Instructions

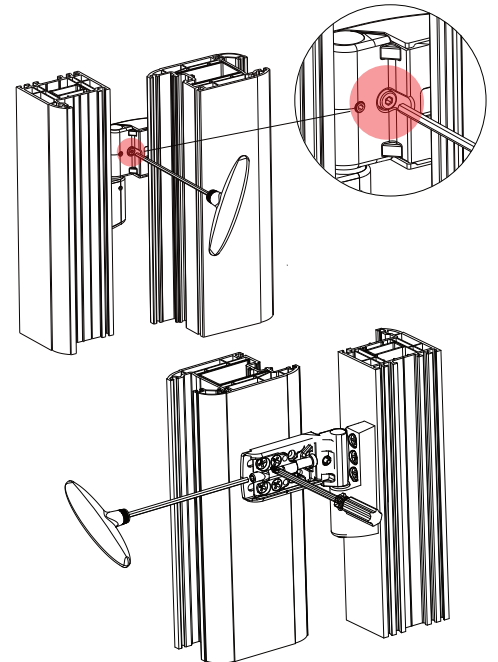
Height Adjustment

- 1 First slacken off the pin locking grub screw on the side of the hinge as shown. You will need a 2mm Allen key (a couple of turns should be fine).
- 2 Locked on the underside of the frame part. Using a 6mm Allen Key, turn the height adjustment screw clockwise to raise the height of the door. Turn anti-clockwise to lower the door if required (see highlighted opposite).
- 3 When desired height is achieved re-tighten the locking grub screw on the side of the hinge.



Horizontal Adjustment

- 5 With the door in the open position locate the cover cap screw and remove it using a 3mm Allen key. Be careful whilst removing as this will release the main cover cap and could potentially drop on the floor.
- 6 Using the correct screwdriver slightly release the fixing screws taking pressure off the adjustment bolt. Adjustment can be made using a 4mm Allen key. Turn the adjustment bolt clockwise to move the door away from the hinge side and towards the lock side and anti-clockwise to move the door closer to the hinges.
- 7 Remember to re-tighten the fixing screws once adjustment has been made and replace the cover cap.



Compression Adjustment

- 8 With the door in the closed position, lift the sash up and away from the frame pins and either put to one side or support in place whilst adjustment is made
- 9 Remove the adjustment pin from the frame part as shown and make note of the adjustment number shown on the pin body. Rotate the pin to achieve the required adjustment.

Note: A pin retaining grub screw located on the side of the frame should be loosened using 2mm allen key prior to lifting the pin (see highlighted opposite).

- 10 Ideally each pin should be set to the same adjustment number however in some cases this may not be so. Once all adjustments have been made ensure to tighten the pin retaining screws and replace the sash.

